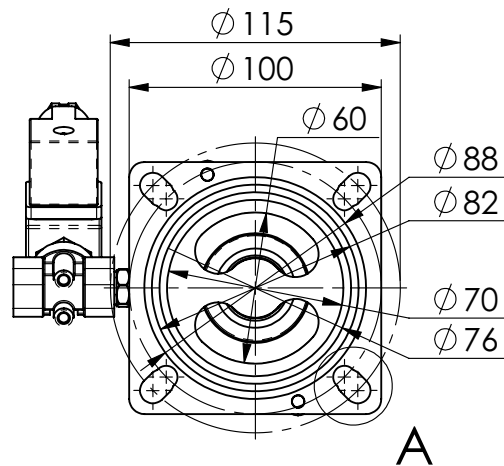
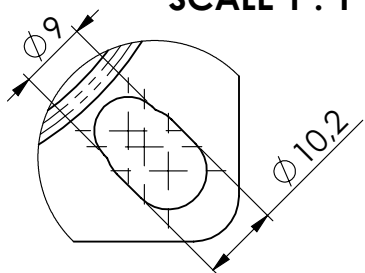
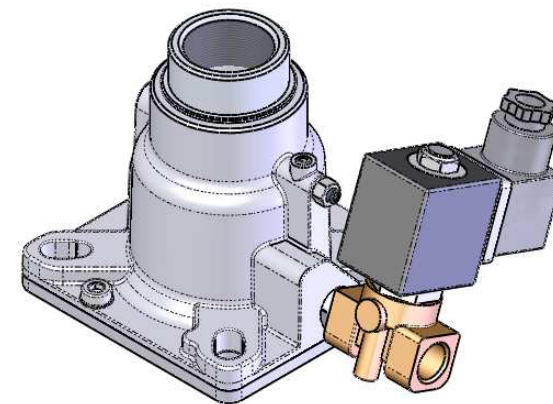
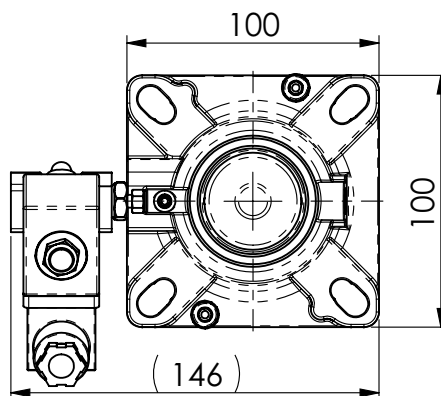
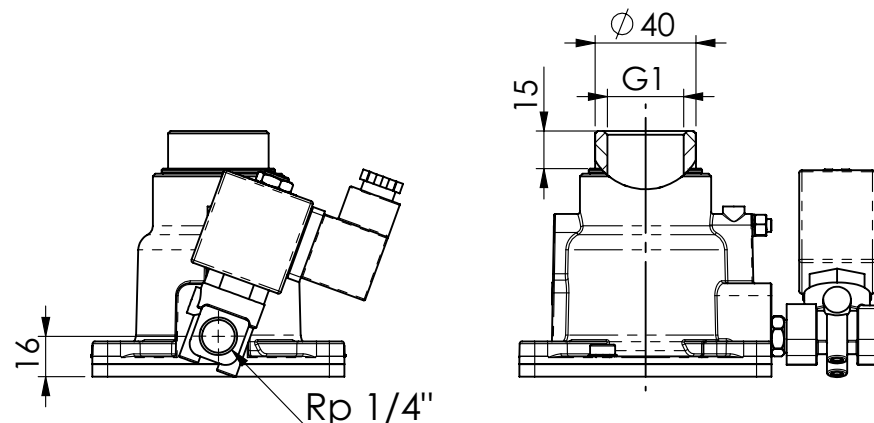
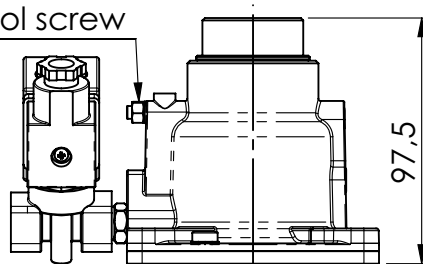
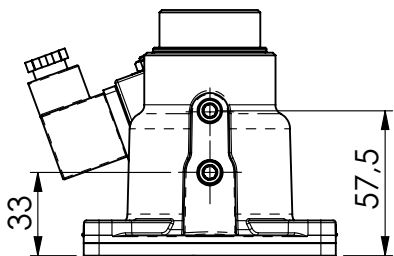


DETAIL A
 SCALE 1 : 1



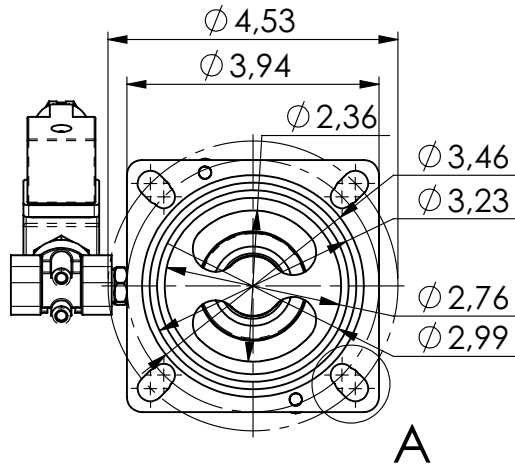
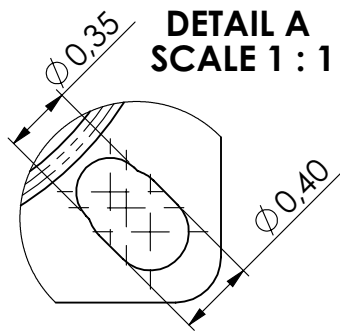
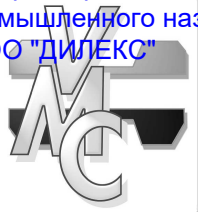
**REGOLATORE ASPIRAZIONE
 RH38E+RID Ø40fil
 INTAKE VALVE
 RH38E+RID Ø40fil**

Vite Reg. Scarico
 Discharge control screw



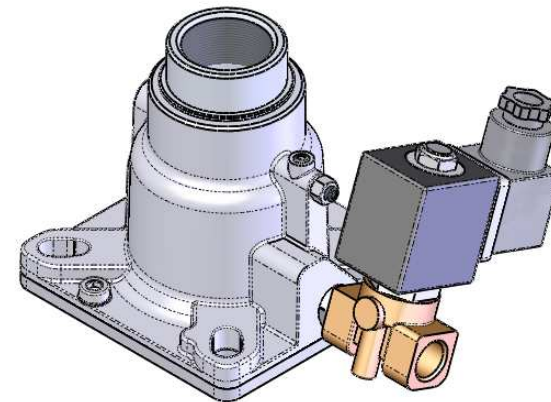
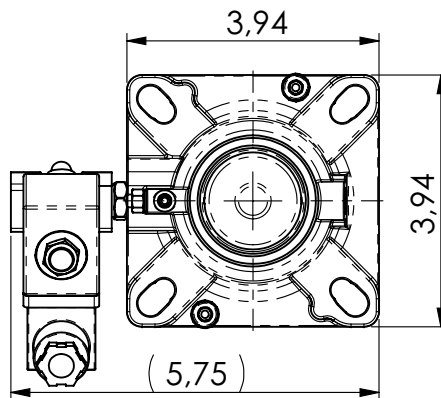
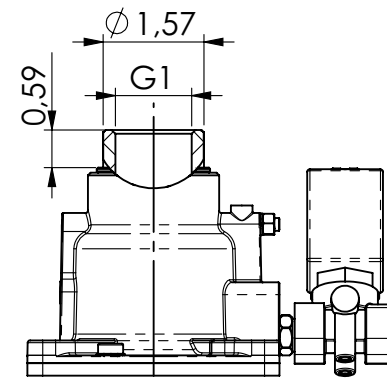
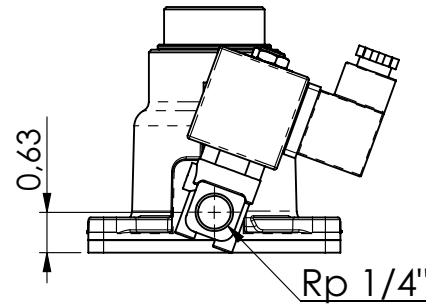
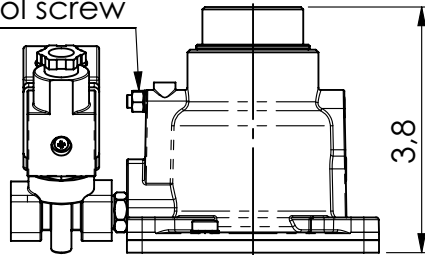
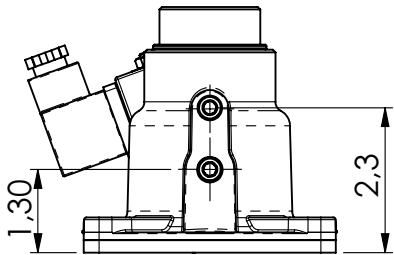
S.I. sistema internazionale
 Le quote mostrate sono in mm
 The showed dimensions are in mm

TIPO TYPE	PQ	REVISIONE REVISION	00	DATA DATE	01/09	ARTICOLO ARTICLE	600	.52	MODELLO MODEL	Y5
--------------	----	-----------------------	----	--------------	-------	---------------------	-----	-----	------------------	----



REGOLATORE ASPIRAZIONE RH38E+RID Ø40fil INTAKE VALVE RH38E+RID Ø40fil

Vite Reg. Scarico
 Discharge control screw



U.S. units system

The showed dimensions are in INCH
 Le quote mostrate sono in POLLICI

TIPO TYPE	PQ	REVISIONE REVISION	00	DATA DATE	01/09	ARTICOLO ARTICLE	600	.52	MODELLO MODEL	Y5
--------------	----	-----------------------	----	--------------	-------	---------------------	-----	-----	------------------	----